

深圳市美乐唯科技有限公司

Shenzhen mulview technology co., limited

**CUSTOMER:** \_\_\_\_\_

**产品描述:**

**DESCRIPTION:** Input:100~240V AC 50/60Hz Output:12VDC1A

**机种型号:**

**OUR MODEL NO:** \_\_\_\_\_ **S-12-12**

**样品编号:**

**日期:**

**SAMPLE NO:** \_\_\_\_\_ **S-12-12**

**DATE:** \_\_\_\_\_

**产品颜色:**

**SAMPLE COLOR: Black**

**White**

Shenzhen Mulview Technology Co. Limited

Web: [www.mtlcctv.com](http://www.mtlcctv.com)

[TEL:0086-755-88849659](tel:0086-755-88849659)

FAX:0086-755-83722362

Mobile:0086-13760462930

Email: [Mulivewcctv@mtlcctv.com](mailto:Mulivewcctv@mtlcctv.com)

Skype:lancle0601

## 1、描述/ DESCRIPTION:

本规格书适应于 S-12-12 型号的开关电源.

The purpose of the document is to specify the functional requirements of a 12W switching power supply.

## 2、输入特性/INPUT CHARACTERISTICS:

### 2.1 输入电压/Input Voltage:

额定电压/Rated Voltage:100~240Vac

调整范围/Variation Range:90-264Vac

### 2.2 输入频率/Input Frequency:

额定频率/ Rated Frequency: 50/60Hz.

调整频率/Variation Frequency:47-63Hz

### 2.3 输入电流/Input Current:

当输入交流电压为额定值的下限电压负载满载时,最大输入交流电流 0.35A.

0.35Amps max At any input voltage and rated, DC output rated load.

### 2.4 浪涌电流/Inrush Current:

当输出为额定负载,环境温度为 25℃,输入 240Vac 冷态起机时的最大浪涌电流小于 80A.

80 Amps Max. Cold start at 240Vac input, with rated load and 25℃ ambient.

### 2.5 AC 漏电流/Ac Leakage Current:

当输入电压 240Vac 时,最大漏电流为 0.25mA.

0.25mA Max.At240Vac input.



#### 4、保护功能/PROTECTION FUNCTION:

##### 4.1 短路测试/Short circuit test:

该电源供给器在短路解除时能正常工作恢复.

The power supply will be auto recovered when short circuit faults remove.

##### 4.2 过流保护/Over current Protection:

过流故障排除后,电源将自动恢复正常工作.

The power supply will be auto recovered when over current faults remove.

##### 4.3 过压保护/Over Voltage Protection:

当输出电压超过额定电压的 120%~170%时,电源将保护,故障排除后能恢复正常工作.

The power supply will auto recovered when faults remove 120%~170%.

#### 5、环境要求/ENVIRONMENTAL REQUIREMET:

##### 5.1 工作温度/Operating Temperature:

0°C-40°C,满载,正常工作.

0°C to 40°C,Full load, Normal operation.

##### 5.2 储藏温度/Storage Temperature:-20°C to 80°C

带外壳/With package

##### 5.3 工作湿度/Relative Humidity:

5%(0°C)~90%(40°C),72 小时,满载,正常工作.

5%(0°C)~90%(40°C)RH,72Hrs,Full load, Normal operating.

##### 5.4 振动/Vibration:

###### 1. 测试标准:国际电工电子委员会

Operating: IEC 721-3-3 3M3

5~9Hz,A=1.5mm

加速度(9~200Hz,Acceleration 5m/S<sup>2</sup>)

###### 2. 运输/Transportation:

IEC 721-3-2 2M2

5-9Hz,A=3.5mm

9~200Hz,加速度 Acceleration=5m/S<sup>2</sup>

200~500Hz,加速度 Acceleration=15m/S<sup>2</sup>

3. 轴向振动/Axes,10 cycles per axis.

在测试过程中不能出现永久性的损坏.

No permanent damage may occur during testing.

在电源开启和关闭后,样机能够恢复到最初条件.

The SAMPLE has to restore to its original situation after power off/on..

5.5 跌落试验/Dropping Packed:

插墙式跌落高度为 1 米、桌面式跌落高度为 760mm ;

1M for wallmount type and 760mm for desktop type as above described.

测试台面是厚 13mm 的夹木板 , 离地面高 19-20mm

The horizontal surface consists of hardwood at least 13mm thick, mounted on two layers of plywood each 19mm to 20mm thick,all supported on a concrete or equivalent non-resilient floor.

6、安全要求/SAFETY REQUIREMENT:

6.1 安全:符合标准 CE

Safety: accord with CE

6.2 高压/DIELECTRIC STRENGTH Hi-Pot:

初级对次级/Primary to secondary:3000Vac10mA/3S for type test.

6.3 绝缘抗阻/ Insulation resistance:

初级对次级/Primary to secondary:10MΩ min at 500V DC.

6.4 EMI 标准/EMI STANDARD

Meets the Limits of/测试符合

<1>.EN55022 class B rules

7、 结构参数/MECHANICAL REQUIREMENT:

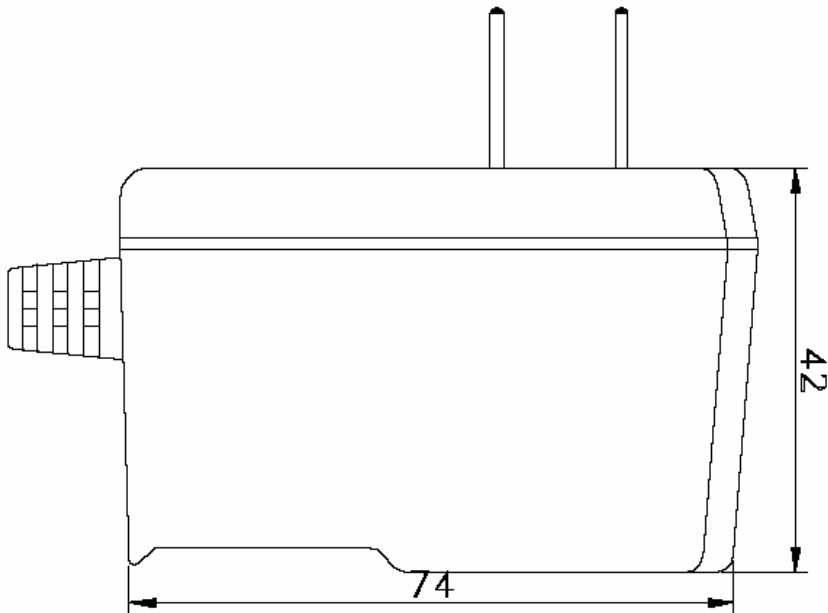
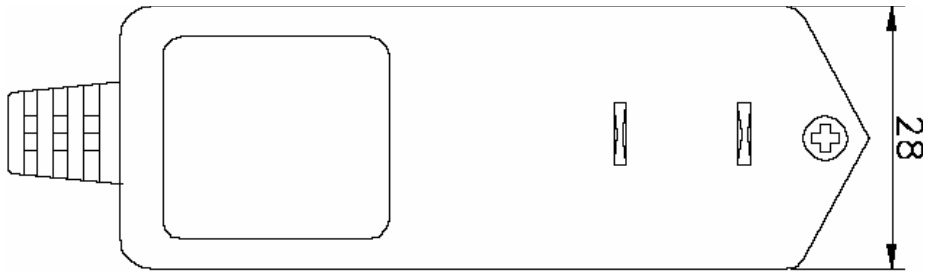
7.1 外壳/Enclosure:

外壳尺寸: L74 x W28 x H42mm;

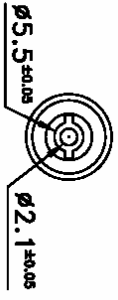
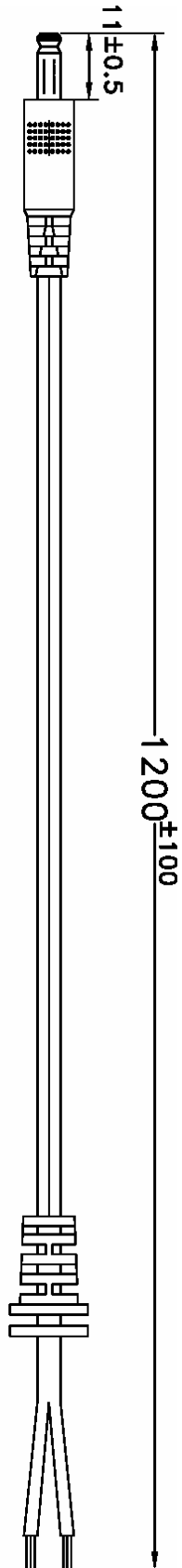
The power supply size: L74 x W28 x H42mm;

7.2 输入线/Input Connector:

2Pin UL 插脚/Two pin input plug of UL



8、CORD/线材



备注:

- 1.线材规格:2468 #22AWG 1.2M 80℃
- 2.PULG:5.5\*2.1\*11 音叉叉沟(镀镍黑胶)