

承认书

SPECIFICATION FOR APPROVAL

Switching power Supply/ 开关电源

客户:

CUSTOMER: _____

产品描述:

DESCRIPTION: Input:100~240V AC 50/60Hz Output:12VDC 2.0A

机种型号:

OUR MODEL NO: _____ S-25-12

样品编号:

日期:

SAMPLE NO: _____

DATE: 2010-03-22

产品颜色:

SAMPLE COLOR: Black



White



APPROVAL SIGNATURE/客户确认

核准/APPROVED BY	审核/CHECKED BY	检测/TESTED BY

Manufacturer/制造商

业务/SALES	核准/APPROVED BY	设计/DESIGNED BY
Lancle zou	Chen guang hua	Lin xue xian

Mulview Technology (shenzhen) Co. Limited

Web: www.mtlcctv.com

TEL:0086-755-88849659

FAX:0086-755-83722362

Mobile:0086-13760462930

Email: mulviewcctv@gmail.com or Mulivewcctv@mtlcctv.com

MSN: myyanzi0601@hotmail.com

Skype:lancle0601



深圳市美乐唯科技有限公司

Shenzhen Mulview Technology Co.,limited

型号/Our model: S-25-12

客户/Customer:

日期/Date:2010.03.22

样品编号/SAMPLE No:

版本目录/Rev. List

版本/Rev.	日期/Date	描述/Description	制订/Design
A0	2010-03-22	新版本/New Rev.	Liuling hui

Table of contents

1、描述/DESCRIPTION.....3

2、输入特性/INPUT CHARACTERISTICS.....3

3、输出特性/OUTPUT CHARACTERISTICS.....4-5

4、保护功能/PROTECTION FUNCTION.....5

5、环境要求/ENVIRONMENTAL REQUIREMET.....5~6

6、安全及 EMI 要求/SAFETY AND EMC REQUIREMENT..... 6

7、结构参数/MECHANICAL REQUIREMENT.....7

8、线材/CORD..... 8

9、铭牌附图/LABEL.....9

10、包装说明/PACKING..... 10-11

1、描述/ DESCRIPTION:

本规格书适应于 S-25-12 型号的开关电源.

The purpose of the document is to specify the functional requirements of a 24W switching power supply.

2、输入特性/INPUT CHARACTERISTICS:

2.1 输入电压/Input Voltage:

额定电压/Rated Voltage:100~240Vac

调整范围/Variation Range:90-264Vac

2.2 输入频率/Input Frequency:

额定频率/ Rated Frequency: 50/60Hz.

调整频率/Variation Frequency:47-63Hz

2.3 输入电流/Input Current:

当输入交流电压为额定值的下限电压负载满载时,最大输入交流电流 0.8A.

0.8Amps max At any input voltage and rated, DC output rated load.

2.4 浪涌电流/Inrush Current:

当输出为额定负载,环境温度为 25℃,输入 240Vac 冷态起机时的最大浪涌电流小于 120A.

120 Amps Max. Cold start at 240Vac input, with rated load and 25℃ ambient.

2.5 AC 漏电流/Ac Leakage Current:

当输入电压 240Vac 时,最大漏电流为 0.25mA.

0.25mA Max.At240Vac input.

3、输出特性/OUTPUT CHARACTERISTICS:
3.1 输出功率/Power output

电压 Voltage	最小负载 Min. Load	额定负载 Rated. Load	峰值功率 Peak	输出功率 Output power
12Vdc	0.01A	2.0A		24W

3.2 负载特性,调整率/Combined Load/Line Regulation

电压 Voltage	最小负载 Min. Load	额定负载 Rated. Load	线性调整 Line Regulation	负载调整 Load Regulation
12Vdc	0.01A	2.0A	±1%	±5%

3.3 纹波和噪音 Ripple and Noise:

测试条件:在额定电压及额定负载条件下,使用示波器带宽为 20MHz 连接到充电器的输出端,同时输出端并联一个 47uF 的电解电容和一个 0.1uF 的瓷片电容.

Under nominal voltage and nominal load,the ripple and noise are as follows when measure with Max.Bandwidth of 20MHz and Parallel 47uF/0.1uF,crossed connected at testing point.

电压 Voltage	最大纹波/最大噪音 Ripple and Noise(Max.)
±12Vdc	120mV p-p

3.4 启动延迟时间/Turn on delay time:

当输入 115Vac 和输出最大负载时,最大启动时间为 3S.

3Second Max.at 115Vac input and output Max.load.

3.5 上升时间/Rise time:

当输入 115Vac 和输出最大负载时最大时间为 40 mS.

40 mS Max.at 115Vac input and output Max load.

3.6 保持时间/Hold up time:

当输入 115Vac 和输出最大负载时,最小保持时间为 5 mS .

5 mS Min.at 115Vac input and output Max.Load.

3.7 效率/Efficiency:

当 115/230Vac 输入电压时, 1/4, 1/2, 3/4 和满载计算平均效率, 最小 80%。

80% Min, At 115/230Vac input voltage,1/4, 1/2, 3/4 and full load calculation average efficiency.



深圳市美乐唯科技有限公司

Shenzhen Mulview Technology Co.,limited

型号/Our model: S-25-12

客户/Customer:

日期/Date:2010.03.22

样品编号/SAMPLE No:

4、保护功能/PROTECTION FUNCTION:

4.1 短路测试/Short circuit test:

该电源供给器在短路解除时能正常工作恢复.

The power supply will be auto recovered when short circuit faults remove.

4.2 过流保护/Over current Protection:

过流故障排除后,电源将自动恢复正常工作.

The power supply will be auto recovered when over current faults remove.

4.3 过压保护/Over Voltage Protection:

当输出电压超过额定电压的 120%~170%时,电源将保护,故障排除后能恢复正常工作.

The power supply will auto recovered when faults remove 120%~170%.

5、环境要求/ENVIRONMENTAL REQUIREMET:

5.1 工作温度/Operating Temperature:

0°C-40°C,满载,正常工作.

0°C to 40°C,Full load, Normal operation.

5.2 储藏温度/Storage Temperature:-20°C to 80°C

带外壳/With package

5.3 工作湿度/Relative Humidity:

5%(0°C)~90%(40°C),72 小时,满载,正常工作.

5%(0°C)~90%(40°C)RH,72Hrs,Full load, Normal operating.

5.4 振动/Vibration:

1. 测试标准:国际电工电子委员会

Operating: IEC 721-3-3 3M3

5~9Hz,A=1.5mm

加速度(9~200Hz,Acceleration 5m/S²)

2. 运输/Transportation:

IEC 721-3-2 2M2

5-9Hz,A=3.5mm

9~200Hz,加速度 Acceleration=5m/S²

200~500Hz,加速度 Acceleration=15m/S²



深圳市美乐唯科技有限公司

Shenzhen Mulview Technology Co.,limited

型号/Our model: S-25-12

客户/Customer:

日期/Date:2010.03.22

样品编号/SAMPLE No:

3. 轴向振动/Axes,10 cycles per axis.

在测试过程中不能出现永久性的损坏.

No permanent damage may occur during testing.

在电源开启和关闭后,样机能够恢复到最初条件.

The SAMPLE has to restore to its original situation after power off/on..

5.5 跌落试验/Dropping Packed:

插墙式跌落高度为 1 米、桌面式跌落高度为 760mm;

1M for wallmount type and 760mm for desktop type as above described.

测试台面是厚 13mm 的夹木板, 离地面高 19-20mm

The horizontal surface consists of hardwood at least 13mm thick, mounted on two layers of plywood each 19mm to 20mm thick,all supported on a concrete or equivalent non-resilient floor.

6、安全要求/SAFETY REQUIREMENT:

6.1 安全:符合标准 BS-(EN60065)

Safety: accord with BS-(EN60065)

6.2 高压/DIELECTRIC STRENGTH Hi-Pot:

初级对次级/Primary to secondary:3000Vac10mA/3S for type test.

6.3 绝缘抗阻/ Insulation resistance:

初级对次级/Primary to secondary:10MΩ min at 500V DC.

6.4 EMI 标准/EMI STANDARD

Meets the Limits of/测试符合

<1>.Fcc part15 class B rules

<2>.EN55022 class B rules

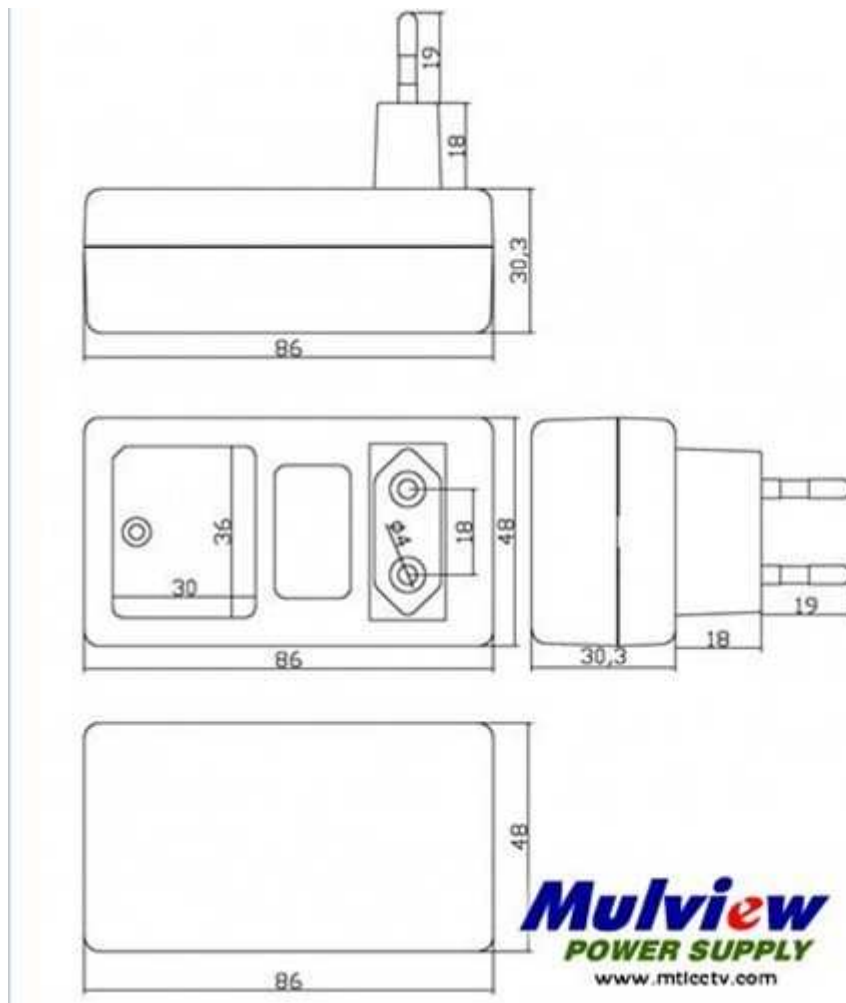
<3>.GB9254-1998,GB17625.1-2003

7、 结构参数/MECHANICAL REQUIREMENT:

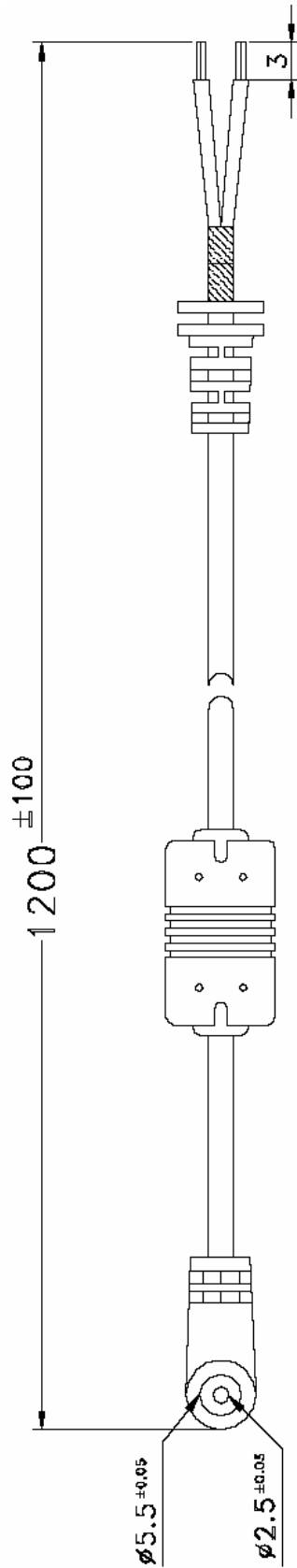
7.1 外壳/Enclosure:

外壳尺寸: L86 x W47.5 x H30mm;The power supply size: L86 x W47.5 x H30mm;

7.2 输入线/Input Connector:

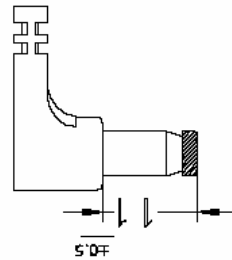
2Pin Euro 插脚/Two pin Euro plug

8、CORD/线材



备注:

1. 线材规格: 2725 1.2M 80 °C
2. PULG: 5.5*2.5*11 (镀镍黑胶) 弯头
3. 纯铜 环保





深圳市美乐唯科技有限公司

Shenzhen Mulview Technology Co.,limited

型号/Our model: S-25-12

客户/Customer:

日期/Date:2010.03.22

样品编号/SAMPLE No:

9、铭牌/LABEL:

10、包装说明/PACKING:

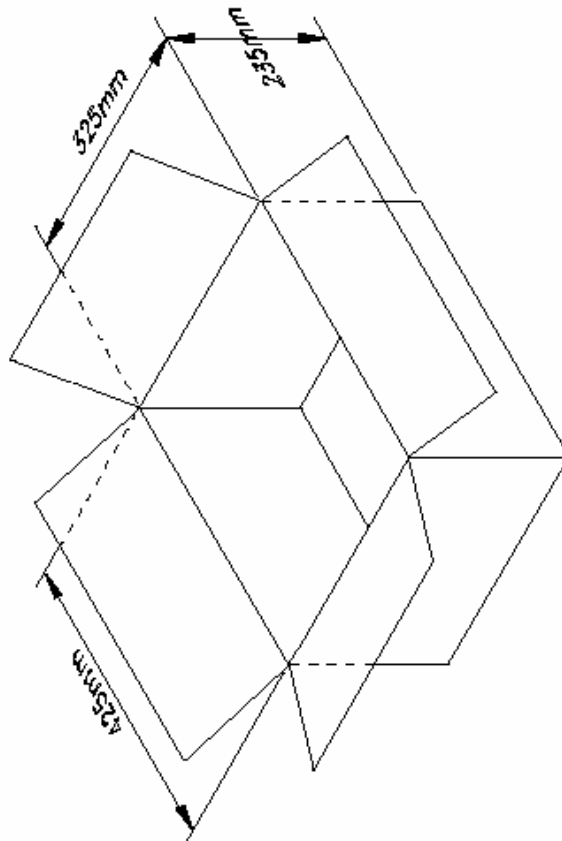
备注:

1.纸箱材质为 A=B

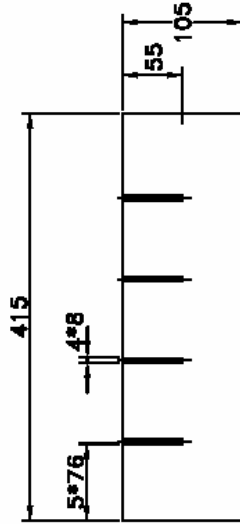
抗张为 14公斤/cm²

2.外箱尺寸为外部尺寸,公差为: +5,-0.

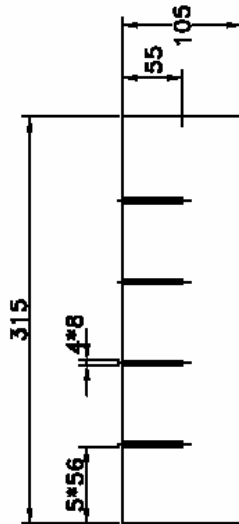
3.装箱方式: 共两层,每层25pc,共计50pcs/箱.



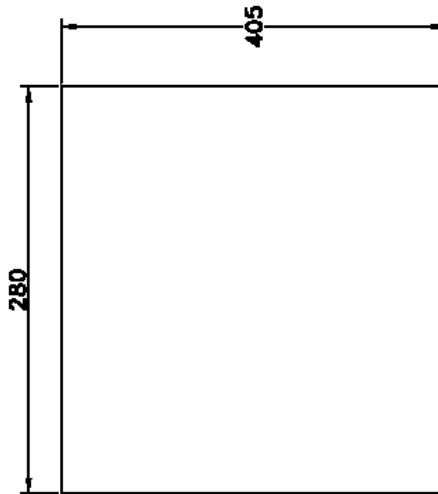
10、包装说明/PACKING:



刀卡 (长)



刀卡 (短)



隔板

备注:

- 1.刀卡 (长) 415*105*2.5mm 内径76mm 4刀口
刀口内径=5mm
- 2.刀卡 (短) 315*105*2.5mm 内径56mm 4刀口
刀口内径=5mm
- 3.隔板 405*280*2.5mm B=B