



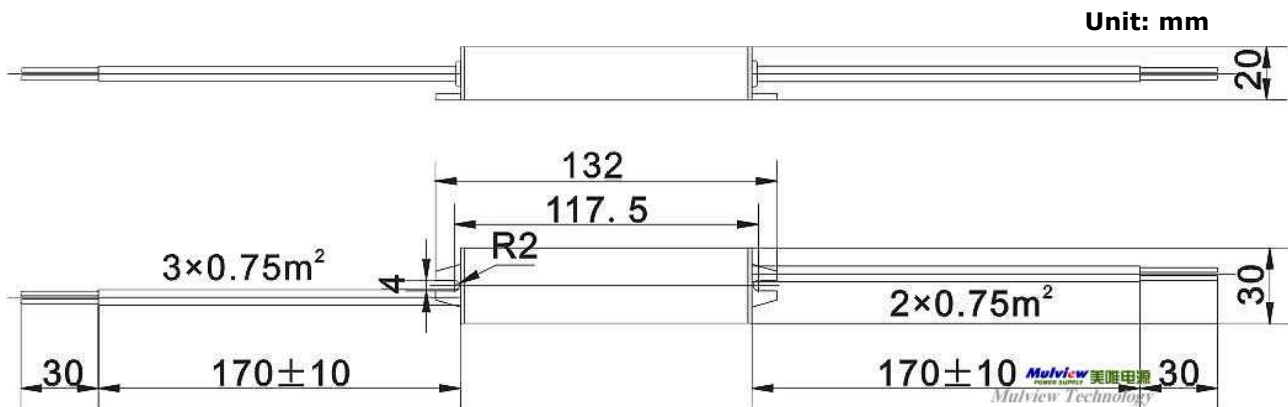
■ Features

1. Constant voltage mode power supply
2. Epoxy encapsulated with IP67 level, suitable for outdoor & indoor application
3. Automatic protection for over voltage, over current & high temperature.
4. Aluminum mental housing, easy for heat dissipation & ensure stability
5. Cooling by free air convection
6. 100% full load burn-in test
7. Low cost, high reliability
8. Suitable for LED lighting and moving sign applications

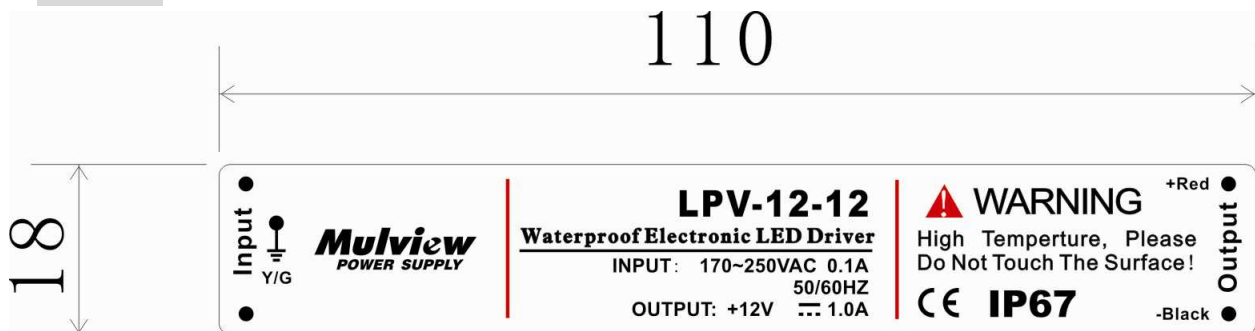
■ Specification

Model	LPV-12-12	LPV-12-15	LPV-12-24
Specification			
DC output voltage	12V	15V	24V
Output voltage error	±5%	±5%	±5%
Rated output current	1.0A	0.8A	0.5A
Output current rage	0-1.0A	0-0.8A	0-0.5A
Wave and noise	100mVp-p	100mVp-p	150mVp-p
Efficiency	77%	78%	80%
AC input voltage range	170-264VAC (or 90-132VAC) 47~63Hz		
Input current	0.1A/230A		
AC Inrush current	Cold-start current 30A/230V		
Leakage current	<0.5mA/240VAC		
Overload protection	115%-135% hiccup mode, auto recovery		
over temperature	>105°C hiccup mode: auto recovery		
waterproof rank	IP67		
Setup rise hold up time	200ms,100ms,30ms		
Withstand voltage	I/P-OP:3kvAC 1minute I/P-FG:1.5KvAC 1minute O/P-FG:0.5KvAC 1minute		
Working temperature and humidity	-10~+60°C,20%~90%RH		
Overall dimension	132×30×20mm		
Weight	0.15kg		
Application	LED lamp, LED Strip light, LED neon flex light, LED lighting system		

■ Shape and installation dimension



■ Sticker



■ Notice

1. Be sure to confirm the signification of sign above the pole before connection.

L: LINE (AC input) **N**: Neutral (AC input) **⏚(FG)**: Protective Ground

2. LED Driver can be used 110V and 220V AC power for input, The AC Input Voltage is showing on sticker. Before plug in please check the voltage position is correct or not otherwise may take a permanent damage in this power supply.
3. Be sure to keep the ground wire connection, avoid electric shock and common mode interference or differential mode interference.(above 50W Power have 3 pcs input wire)

Multiple view, more attention!

Mulview Technology Limited

<http://www.mtlcctv.com>

TEL: 0086-755-88849659 FAX: 0086-755-83722362 E-mail:mulviewcctv@gmail.com,sales@mtlcctv.com