

■ Features

- ✚ Low price and high reliability
- ✚ AC input power suitable for the world
- ✚ High efficiency and low operation temperature
- ✚ Soft-start current can reduce the AC input impact effectively
- ✚ With Short-circuit and overload protection
- ✚ 100% full-load burning test
- ✚ Battery low voltage protection
- ✚ Installed with EMI filter, minimum wave.
- ✚ 2 years warranty

■ Specification

Model Specification	S C - 1 2 0 - 1 2		S C - 1 2 0 - 2 4	
	C H 1: 1 3. 8 V	C H 2:1 3.4 V	C H 1:2 7.6 V	C H 2:2 6.5 V
DC output voltage	C H 1: 1 3. 8 V	C H 2:1 3.4 V	C H 1:2 7.6 V	C H 2:2 6.5 V
Output voltage error (Note: 2)	±1%	-----	±1%	±1%
Rated output current	8A	0.5A	4A	0.3A
Output current rage	0-8A	-----	0-4A	-----
Wave and noise(Note : 3)	120mVp-p	-----	180mVp-p	-----
DC output power	117.1W		118.4W	
Efficiency	84%	84 %	86%	86%
Adjustable range for DC voltage	C H 1:1 1.3~1 4.9 V		C H 1:2 1.3~2 9.8 V	
AC input voltage range	88-132VAC/170-264V AC Selected by switch,47-63Hz; 240-370VDC			
Input current	2.8/115V 1.4A/230A			
AC Inrush current	Cold-start current 30A/115V 50A/230V			
Leakage current	<1mA/240VAC			
Overload protection	105%-150%Type:Foldback:current limiting reset: auto recovery			
Battery low voltage protection	9.5~11V		20~22V	
UPS function	High efficiency charge, Battery can be charged more than 90% full			
	Cut charging automatically when finish charge, protect battery from overcharge			
	Utility Power and battery switch automatically			
	Cold start function, battery can start UPS when utility power cut			
Temperature coefficient	±0.03%/°C (0-50°C)			
Setup rise hold up time	200ms,50ms,20ms			

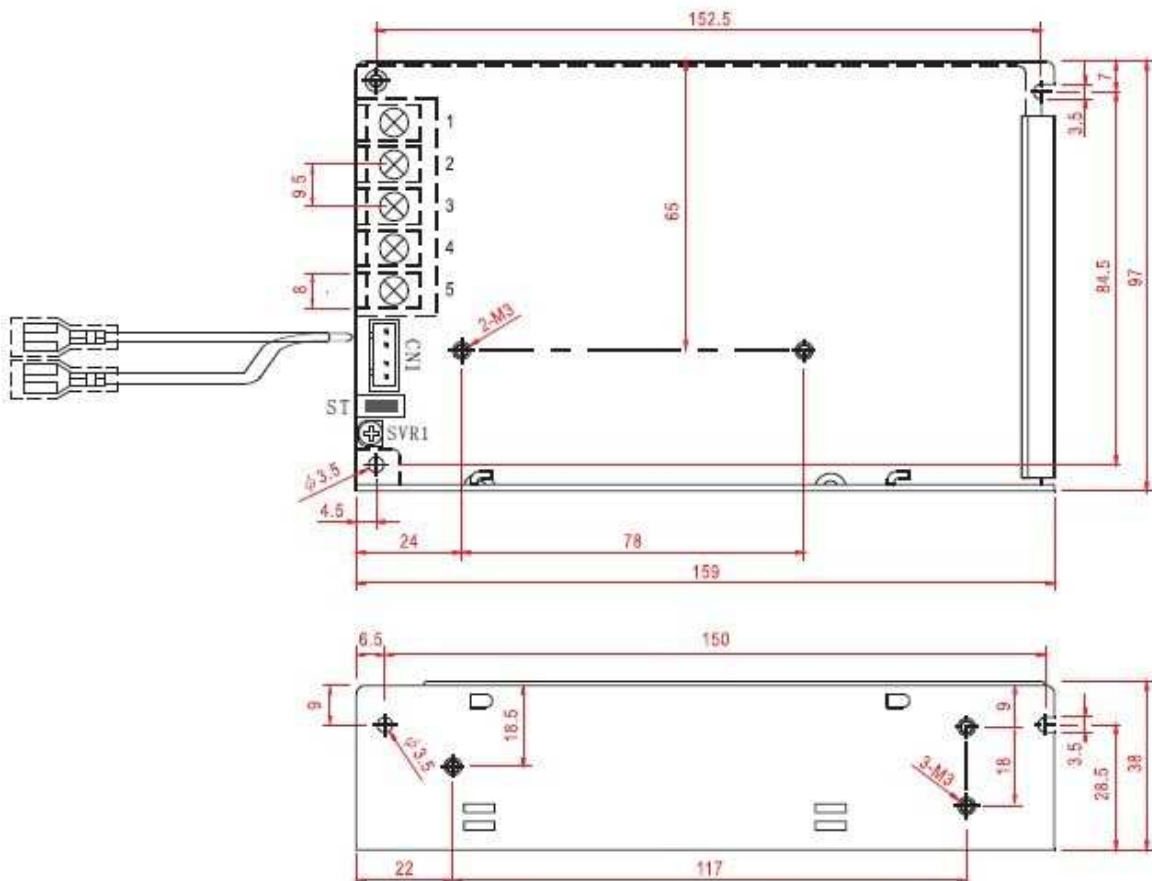
Vibration	10-500Hz,2G 10min,/1cycle. Period for60min. Each axes
Withstand voltage	Input and output internal: 1.5KVAC,Input and enclosure: 1.5KVAC,Output and enclosure: 0.5KVAC
Isolation resistance	Input and output internal: Input and enclosure, Output and enclosure: 500VDC/100MΩ
Working temperature and humidity	-10℃~+60℃ (Refer to output derating curve) , 20%~90%RH
Store temperature and humidity	-20℃~+85℃。 10%~95%RH
Overall dimension	159×98×38mm
Weight	0.45Kgs

Note:


- 1.The testing condition for the parameter above is :230VAC input, rated load,25℃70% RH.Humidity.
2. Error.include the setting error, line stability and load stability. (Note: 5).
- 3.Wave test: adopting "A12"double wire for 20MHz, and 0.1UF&47UF capacitor short-circuit for interrupting.
4. Inlet voltage stability test: when is over load, the lowest voltage of inlet is up to the highest voltage.
5. Load stability test: the load is from 0% to 100%.

■ Shape and installation dimension

Unit: mm




Terminal Pin No Assignment (7 point 9.5mm Pin)

Pin No.	Assignment	Pin No.	Assignment	LED color	Indicate
1	AC INPUT/L	4	DC OUTPUT COM	Green	DC output
2	AC INPUT/N	5	DC OUTPUT +V	Red	AC input
3	FG 			White	Battery charge

■ Notice

1. Be sure to confirm the signification of sign above the pole before connection.

L: LINE (AC input) **N**: Neutral (AC input)  (**FG**): Protective Ground

-V (COM): DC output cathode

+V: DC output anode

VADJ: Output Voltage adjustment

2. Switch power supply can be used 110V and 220V AC power for input, The AC Voltage switch is in the top of the power supply sub-rack. Before plug in please check the voltage position is correct or not otherwise may take a permanent damage in this power supply.
3. Be sure to keep the ground wire connection, avoid electric shock and common mode interference or differential mode interference.

Shenzhen mulview technology limited is professional manufacturer developing Switching Power Supply, CCTV power supply and AC/DC Adapter. We can make OED/OEM.

Multiple view, more attention!

Mulview Technology Limited

<http://www.mtlcctv.com>

TEL: 0086-755-88849659

FAX: 0086-755-83722362

E-mail: mulviewcctv@gmail.com, sales@mtlcctv.com